

THE **NEW** GENERATION



BRITAIN'S LEADING
TRAILER MANUFACTURER

IN SAFE HANDS FOR OVER 60 YEARS

Introducing the stunning new **HBX** and **HBE** ranges, both welcome and much requested additions to our HB family of trailers. Since 1958, people have put their trust in our trailers, just ask an owner - they're not difficult to find. As befits the latest additions to the prestigious **HB** range, the **HBX** and **HBE** build on the decades of expertise and knowledge of Ifor Williams Trailers while simultaneously introducing striking new designs that set them apart.

The result reflects our investment in new technologies, processes and materials that ensure our products continue to exceed our customers' expectations. For the discerning horse owner, no other horsebox range comes close.





HBX

HBE

HBX403

1 x 16.2hh
With front ramp

HBX506

2 x 16.2hh
With front ramp

HBX506 Tack Locker

2 x 16.2hh
With built-in tack locker
No front ramp

HBX511

2 x 17.2hh
With front ramp

HBX511 Tack Locker

2 x 17.2hh
With built-in tack locker
No front ramp

Awning accessory available for
each model in the HBX range.

HBE506

2 x 16.2hh horses
No front ramp

HBE506 Tack Locker

2 x 16.2hh horses
With built-in tack locker
No front ramp

Ideal for cars with 2000kg
towing capacity.

DESIGNED FOR YOUR HORSE

Introducing the **HBX**, a superbly engineered range of horsebox trailers with an all-aluminium body and streamlined roof design. It boasts a host of innovative new features offering outstanding comfort for the horse and remarkable ease of use and versatility for the user/owner. Its soft curves and unique floating roof design merge together to offer stunning lines, complemented further by the large and stylish front window.

All of these elements together give the **HBX** a highly recognisable, unique and iconic design. As with all our trailers, unforgettable aesthetics are only the start of the story. The chassis and body have been designed and engineered with weight and strength considerations at the forefront, providing a safe, strong and solid construction. New features include the large rear side hinging combination ramp, stylish aluminium and diamond cut alloy wheels, optional GRP moulded tack locker and first-to-the-market integral awning accessory.





HBX506 with 8-spoke diamond cut alloy wheels

HBX403

The **HBX403** is a single horsebox which is suitable for the transport of a horse of up to 16.2hh.

As a single horsebox the **HBX403** offers more stall width than either of the two double horseboxes. This extra space can be a real benefit for horses which don't travel well, or like a lot of space when being transported.

The narrower overall width of the **HBX403** single horsebox compared to the double horseboxes means it is easier to tow, and with its aluminium construction can be safely towed by many conventional saloon cars.

The rear ramp offers dual functionality. It operates as a normal ramp offering a secure, stable and low angled approach to the horsebox. It can also be opened as a side-hinged door, making cleaning out the horsebox much more convenient. It also permits convenient forklift access to the rear of the horsebox.

The **HBX403** is available in:

-  Red
-  Silver
-  Black





HBX403

In red, with left-hand front ramp and optional 8-spoke diamond cut alloy wheels

403

HBX506

In silver, with right- hand front ramp, optional 8-spoke alloy wheels and high level brake light

The **HBX506** is available in:

-  Red
-  Silver
-  Black





506

HBX506

The **HBX506** double horsebox is ideal for transporting two horses up to 16.2hh. It is available with the option of either a front ramp or a built-in tack locker. It features a pair of side windows, a large inspection window and centre partitions with breast and breeching bars as standard.

The rear ramp offers dual functionality. It operates as a normal ramp offering a secure, stable and low angled approach entry to the horsebox. It can also be opened as a side-hinged door, making cleaning out the horsebox much more convenient. It also permits convenient forklift access to the rear of the horsebox.



HBX511 with optional 8-spoke diamond cut alloy wheels

HBX511

The slightly longer and wider **HBX511** double horsebox will comfortably accommodate two 17.2hh horses. Like the HBX506 this horsebox is available with the option of either a front ramp or a built-in tack locker. The **HBX511** also features a pair of side windows, a large inspection window and centre partitions with breast and breeching bars as standard.

The rear ramp offers dual functionality. It operates as a normal ramp offering a secure, stable and low angled approach entry to the horsebox. It can also be opened as a side-hinged door, making cleaning out the horsebox much more convenient. It also permits convenient forklift access to the rear of the horsebox.



HBX

The **HBX511** is available in:

-  Red
-  Silver
-  Black



HBX511

In black, with left-hand front ramp and optional 8-spoke, diamond cut alloy wheels

511



HBES06 with optional 8-spoke alloy wheels, high level brake light, partition and side wall padding



DESIGNED FOR YOUR HORSE

The **HBE** is a welcome and much requested addition to our **HB** family of trailers. This new model has a deeper GRP roof moulding and clean line styling. With no front ramp, it has been engineered to give a high strength to weight ratio. This design will appeal to our more cost conscious customer and also customers with lighter towing vehicles with a GVW of 2000kg.

The **HBE's** practical pedigree maintains a safe, strong and solid construction and can be complemented with an optional tack locker. As with the **HBX**, the **HBE's** sleek styling retains the renowned IWT DNA and enhances our exciting horsebox range. The rear combination ramp comes with side hinging as standard, and the trailer can be ordered with optional alloys and many other accessories.

HBE506

The **HBE506** double horsebox is ideal for two horses up to 16.2hh. This horsebox has been designed to provide extra space at the front of the trailer instead of a front ramp. A tack locker can be installed in this space if this option is selected. The **HBE** with no tack locker is the lightest and most affordable double horsebox in our range.

When selected, the **HBE** Tack Locker is conveniently situated in the front of the horsebox. It is spacious and well equipped to keep saddles, whips and other equine necessities in an organized manner. The tack locker door has a lock and corresponding key to ensure all contents inside are safe and secure.

The rear ramp offers dual functionality. It operates as a normal ramp, offering a secure, stable and low angled approach entry to the horsebox. It can also be opened as a side-hinged door, making cleaning out the horsebox much more convenient. It also permits convenient forklift access to the rear of the horsebox.

The **HBE506**
is available in:

■ Silver

■ Black



HBE



HBE506
Tack Locker
in black

506

FEATURES: STRONG SMOOTH & RELIABLE

Both ranges have been designed and engineered with weight and strength considerations at the forefront, providing a safe, strong and solid trailer.

The chassis is a welded steel, hot dipped and galvanized construction for a long and trouble-free life, whilst the body is a robust aluminium frame of six vertical box sections and horizontal extrusions running the full length of the trailer.

A key element of the safe towing and handling of any trailer is the suspension system. The **HBX** and **HBE** use the Ifor Williams Trailers parabolic leaf spring suspension, the characteristics of this system provide a comfortable ride for your horse, something that was clearly recognized as being the best system on offer when tested independently in Germany.

TACK LOCKER OPTIONS

HBX
HBE

Providing useful space for all your equipment, the tack locker can be selected as an alternative to the front ramp on the **HBX**, or as an option on the **HBE**. It is built into the front nose area of your horsebox and is accessible from the outside through a side locker door. The tack locker is only available on the left-hand side, and is available on both the **HBX 506/511** and the **HBE 506**.

Tack Locker Includes

- Adjustable height dual saddle rack (46cm)
- Whip rack
- Two shelves
- Bridle hooks
- Space for saddles 80cm x 60cm
- Tack locker interior lamp



HBX & HBE COMBINED RAMP & DOOR

For horsebox owners looking for additional versatility, the standard rear combined ramp and door is ideal. Operating as a ramp when loading horses, the ramp offers an easy low angle and high grip rubber mat for your horse's comfort. When the ramp is operated as a side-hinged door it allows the interior of the horsebox to be easily cleaned out. The side-hinged door also enables a fork lift truck to load items into the horsebox*. With the centre partition removed, the loading area can be further increased.

*When using the horsebox for carrying loads (not horses) ensure that the load is evenly distributed over the axles.

Feel The Difference

The ramps on the **HBX** and **HBE**, while manufactured in aluminium, continue to have the solid feel and reassuring weight which is characteristic of the quality we build into all our trailers. However, you will find the ramps easy to lift as the gas assisted mechanisms take the strain.



HBX ONLY FRONT RAMP OPTIONS



When ordering your **HBX**, you can choose either a left-hand ramp, a right-hand ramp or a built-in tack locker, the inspection door is fitted to the opposite side. A front ramp is not available if the tack locker is installed. There is no front ramp on the **HBE**.

HBX & HBE FEATURES



Front panel and window

The **HBX** range features a front nose panel which is manufactured from aluminium to provide extra resilience. The large front window, complete with steel grill for security and safety, gives your horse a clear view of the road ahead as well as keeping the interior light and bright.



Hay net ring (HBX and HBE) and Sliding hay net rail and ring (HBX only)*

A hay net ring is available as standard on both **HBX** and **HBE** models. On the **HBX** models, the hay net ring has the added benefit of being adjustable along a sliding rail.



Front top opening doors on both sides**

Opening doors above both the front ramp and the inspection door provide extra ventilation when the trailer is parked. Previously only available above the front ramp this feature also allows easy access for checking your horse. The top doors are transparent and also double up as opening side windows via a pop-out mechanism, increasing natural light and giving additional ventilation whilst on the move. For additional security and safety, a galvanized steel grill frame is fitted on the inside on the top doors and windows.

**** Top doors must never be used fully open when traveling**



Rear top doors

The doors at the rear of the trailer look great either opened or closed and provide your horse with ample airflow when travelling for long periods and also provide additional security when parked.



Awning rail

Seamlessly blending into the roof section, the rail makes it possible to easily attach an IWT awning to the horsebox.

HBX & HBE FEATURES



One-piece roof and front panel

The stylish roof provides smooth aerodynamic lines, while its one-piece design provides a joint free modern alternative. The **HBE** range features a front nose panel which is manufactured from aluminium to provide extra resilience.



Rear step

Fitted to all **HBE** trailers, this practical step can take a person's weight safely and is positioned to help you reach the rear roller blind mesh screen. This is also useful for checking on your horse via the rear aperture.



Front windows

The two transparent windows at the front of the trailer have an opening mechanism, increasing natural light and giving additional ventilation whilst on the move.



E HBE506 with optional 8-spoke alloy wheels and high level brake light

Rear roller blind mesh screen

Lightweight and easy to use, the roller blind mesh screen adds privacy as well as shelter from the weather. Easily adjustable, the mesh screen can be closed fully or half way. When fully or partially open the roller blind mesh screen provides excellent ventilation options.

OPTIONS: FINISHING TOUCHES

Add some finishing touches to your horsebox with our wide range of additional accessories, many of which are exclusive to Ifor Williams Trailers. From Tack Packs™ to a trailer camera, our accessory options make perfect additions to your horsebox and if not factory fitted items, are ideal gifts for owners.



X E

6-spoke silver



X E

8-spoke silver



X E

8-spoke diamond cut

Alloy wheels

Give your horsebox even more impact by adding a set of exclusive alloy wheels with Ifor Williams Trailers branded centres (four per trailer). Choose from three designs, 6-spoke silver alloys, 8-spoke silver alloys and 8-spoke diamond cut alloys.



X E

Wheel trims

Add the finishing touches to our standard steel wheels, by fitting a set of wheel trims (four per trailer). (Design may vary to the one illustrated above).



X E

Auto-lift jockey wheel

Popular in mainland Europe the auto-lift jockey wheel removes the need to unclamp lift and reclamp the jockey wheel. The operation is completed by simply turning the handle to raise or lower the jockey wheel without the need to adjust the height position.



X E

Horsebox cover

Protect your horsebox from the elements with a waterproof and breathable cover.



X E

Internal Padding

Add specially designed Ifor Williams Trailers padding to the centre partition and side walls of your horsebox for added comfort for your horse.



X E

Head partition

Head partitions are easily fitted by clipping to the front panel of the horsebox and the centre partition.



X E

Prop stands

Consider prop stands if your horse requires a particularly steady surface to load. Additional support will reassure nervous horses.



X E

High level brake light

Fitted to the rear roof arch, this optional brake light provides additional warning that the horsebox and vehicle are braking.



E

Roof vent

Built-in roof vent for additional air circulation and natural light. (Standard feature on the HBX range.)



X E

Storage net

Ideal for storing manuals and other small items. Fitted in the front of the trailer.



X E

Trailer aid

Use it once and you'll never be without it. Use when replacing a flat or punctured tyre. Saves time and energy, no need to use a jack.



X E

IWT Wireless Trailer Camera

The wireless camera system transmits live colour footage from the horsebox interior to the towing vehicle by pairing with a smartphone or tablet using UCCAM app for IOS or Android. It comes on a mounting bracket for use with the magnetic base of the camera. The battery is re-chargeable and offers up to 7 hours constant display. Supplied loose, requires fitting.



X E

13 to 7 pin plug adaptor

All IWT braked trailers come as standard with a 13 pin towing electric plug. This is in order to comply with the requirement under ECWVTA regulation changes to provide trailer reversing lights. If your vehicle only has a 7 pin towing socket then a convenient adaptor can be purchased to convert the trailer's 13 pin socket back to 7 pin.



X E

Tack pack – wheeled

Fits neatly into the nose area and is suitable for general purpose saddles up to 18" (46cm). We advise that you check saddles fit before the tack pack is purchased. Available in silver. Not suitable for HBX403, or when Tack Locker is selected.



X E

Tack pack – fixed

Attached to the inspection door, this neat storage solution is capable of storing two saddles and various other items. The fixed tack pack is suitable for general purpose saddles up to 17" (43cm). We advise that you check saddles fit before the tack pack is purchased. Not available for HBX403 or when tack locker is selected. Available in cream.



X E

Full width breast and breaching bar

Full width breast and breaching bar for horses that prefer single travel in a wider stall. Centre partitions are removed and full width breast and breaching bars are fitted. (Not available as a padded option.)



X E

Padded breast and breech bars

Padded breast and breech bars are available as an option for the extra comfort of your horse. Full width padded breast and breech bars are not available.



X

Front and side window blackout strips

There are 8 strips for the front window, and 9 for each side window. These can be applied to suit the owner and the horse's requirements, the more strips you choose to apply the less light enters the horsebox. Not a factory fit.

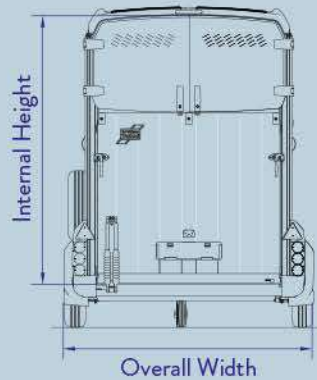
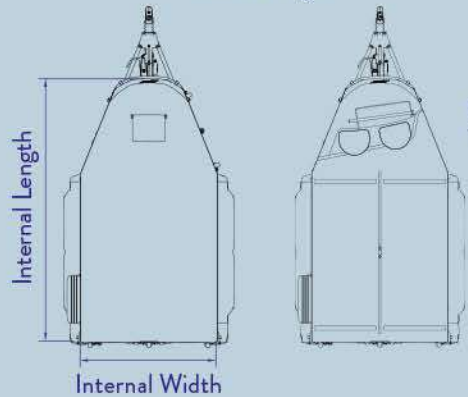
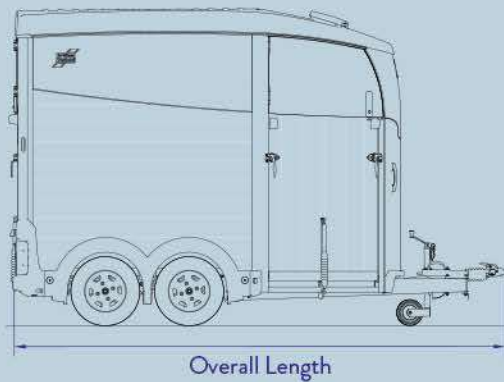


X E

Feeding mangers (tack locker option only)

These mount onto the outside of the tack locker inside the horsebox. Only suitable for use while the horsebox is stationary.*** This accessory can only be used if tack locker option has been specified. ***Horses should never be left unattended.

HBX SPECIFICATIONS



Choose from three colour options, all with colour co-ordinated front panel and roof. Colours have been carefully selected to complement the colours of popular towing vehicles.

	HBX403	HBX506	HBX511
Tyres	165R13C	165R13C	165R13C
Maximum gross weight	1600kg	2600kg	2700kg
Unladen weight	720kg	860kg	945kg
Unladen weight with tack locker	-	860kg	940kg
Overall height	2.72m	2.74m	2.75m
Overall width	1.77m	2.14m	2.27m
Overall length	4.27m	4.30m	4.67m
Internal height	2.26m	2.29m	2.29m
Internal width	1.30m	1.67m	1.79m
Internal length	3.19m	3.26m	3.63m
Stall width	1.30m	0.83m	0.89m
Stall length min/max	1.43/1.83m	1.43/1.83m	1.65/2.04m
Breast/breeching bar height	0.95/1.27m	0.95/1.27m	0.95/1.27m

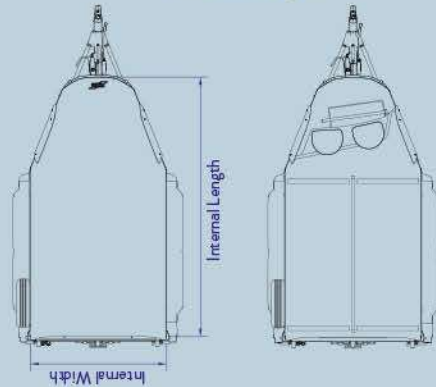
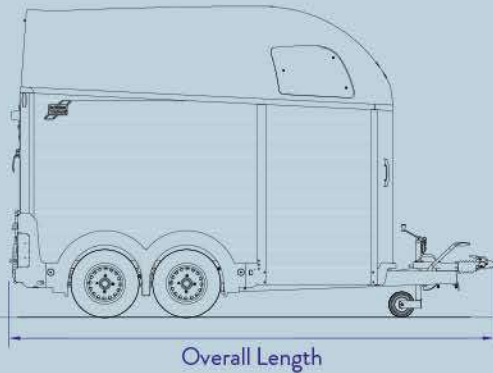


HBE SPECIFICATIONS



Choose from two colour options, all with colour co-ordinated front panel and roof. Colours have been carefully selected to complement the colours of popular towing vehicles.

	HBE506
Tyres	165R13C
Maximum gross weight	2000kg
Unladen weight	775kg
Unladen weight with tack locker	800kg
Overall height	2.75m
Overall width	2.14m
Overall length	4.30m
Internal height	2.29m
Internal width	1.67m
Internal length	3.26m
Stall width	0.82m
Stall length min/max	1.43/1.83m
Breast/breeching bar height	0.95/1.27m



Shown with Tack Locker



HBX AWNING

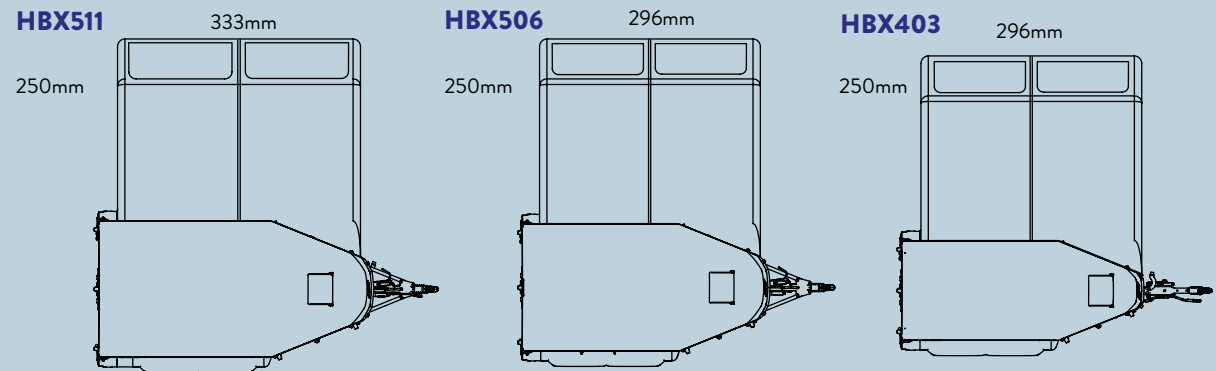
Specially designed for Lfor Williams Trailers, the bespoke awning can be fitted to your **HBX** horsebox with ease, making it a practical and cost effective alternative to staying in hotels when away from home. It also provides temporary shelter from the elements during events and shows.

The Awning is available to fit all three **HBX** models. It attaches to the side of the trailer by the awning rail feature (fitted as standard on all **HBX** models) and comes with the addition of an internal skirt section to reduce any draft entering the awning from under the trailer.

With no poles the Awning it is made up of inflatable tubes, which can be inflated manually with the included hand pump or by using an electric pump, not provided. The Awning is quick and easy to put up and to let down, and is easily transported in its own storage bag.*

SIZES & FEATURES

The Awning is available in two sizes, one to fit the **HBX511** and another to fit both the **HBX506** and **HBX403**. They can also be ordered to fit on either the left hand side or the right hand side of the trailer. We advise selecting an awning to fit on the same side as the inspection door to allow access to the trailer. When fitted to the same side as the front ramp the ramp must remain closed and cannot be opened. Images below show awning fitted to left hand side.



ACCESSORIES



Mesh Panel Kit

Ideal for warm weather to provide shade and keeping out insects, but still allows air to flow through. The panels simply zip to the front of the awning and fit behind the front panels and can remain in place (when the awning is closed).



Cushioned Carpet

The breathable cushioned fabric is designed to give a comfortable interior floor cover for the awning. The fabric keeps bugs and worms out of your awning, but being breathable, minimises damage to underlying grass. The carpet comes complete with a carry bag.



Inner Tent

Made from breathable polyester, and incorporating a large mesh panel for extra ventilation and an integral groundsheet, the inner tent has sleeping space for two within the awning. The inner tent is easily attached and removed from the awning by means of toggles. The inner tent is suitable for both sizes of **HBX** awning.



*Step ladder required when fitting Awning to Awning Rail. Step Ladder not supplied.

FEATURES

THE IFOR WILLIAMS COMMITMENT TO TRAILER SECURITY

Each trailer is fitted with an ID plate which has a unique serial number etched on it. Additionally, the drawbar has a different unique number cut through it, which is virtually impossible to alter without noticeably affecting the appearance of the numbers and galvanized finish.

TER - THE NATIONAL PLANT AND EQUIPMENT REGISTER

When you register your new trailer it is automatically registered with TER (The National Plant and Equipment Register). Their mission is to combat plant theft and fraud in the UK and Europe. By registering ownership, both technical and marking details can be made available to international police forces through TER. All Ifor Williams Trailers include free registration to TER once your trailer is registered by your distributor. For further information on TER please see their web site at www.ter-europe.org

DATATAG, UK ONLY

Datatag is Europe's leading electronic tagging system and was originally developed to combat theft in the UK motorcycle industry. Datatag transponders (tags) are miniature transmitters. These are hidden deep within the trailer during manufacture, and transmit a unique code that can only be read with special scanning guns. These are issued to Police and HM Customs free of charge. On recovery of a stolen trailer the identity of the trailer can be verified and the rightful owner contacted. For further information on Datatag please visit their web site at www.datatag.co.uk

Datatags are fitted as standard to all Ifor Williams Horsebox trailers for extra security and peace of mind.

MAINTENANCE

We recommend that your trailer is serviced by a recognised trailer mechanic to ensure it is always kept in best possible condition. All Ifor Williams Trailers distributors provide this service and can advise you on how regularly your trailer will need servicing.

Always clean your trailer regularly, both inside and outside, paying particular attention to the outside during winter months, as salt on the road will discolour the galvanized steel.

		HBX403 RAMP	HBX506 RAMP	HBX506 TACK LOCKER	HBX511 RAMP	HBX511 TACK LOCKER	HBES06	HBES06 TACK LOCKER
Trailer Features	Front Ramp	STD	STD	N/A	STD	N/A	N/A	N/A
	Combined Ramp and Door (Rear 2-WAY Hinge Ramp/Door)	STD	STD	STD	STD	STD	STD	STD
	Aluminium Floor	STD	STD	STD	STD	STD	STD	STD
	Aluminium Sides and Ramp	STD	STD	STD	STD	STD	STD	STD
	Cast Iron Over-Run Coupling	N/A	STD	STD	STD	STD	STD	STD
	Steel Pressed Over-Run Coupling	STD	N/A	N/A	N/A	N/A	N/A	N/A
	Quick Release Breast Bar System	STD	STD	STD	STD	STD	STD	STD
	Interior LED Light	STD	STD	STD	STD	STD	STD	STD
	Removable Rubber Floor Matting	STD	STD	STD	STD	STD	STD	STD
	Fixed Front Window Complete with Protection Guard	STD	STD	STD	STD	STD	N/A	N/A
	Opening Side Window Complete with Protection Bars	STD	STD	STD	STD	STD	STD	STD
	Roof Ventilator	STD	STD	STD	STD	STD	OPTION	OPTION
	Number Plate Holder	STD	STD	STD	STD	STD	STD	STD
	Centre Roof Mounted Hay Net Tie Ring	N/A	N/A	N/A	N/A	N/A	STD	STD
	Awning Rail	STD	STD	STD	STD	STD	N/A	N/A
	Front Top Doors Both Sides	STD	STD	STD	STD	STD	N/A	N/A
	Locking Inspection Door (opposite side to ramp or Tack Locker)	STD	STD	STD	STD	STD	STD	STD
Rear Roller Blind	N/A	N/A	N/A	N/A	N/A	STD	STD	
Rear Top Doors	STD	STD	STD	STD	STD	N/A	N/A	
Hay Net Tie Rings (Pair)	OPTION	OPTION	OPTION	OPTION	OPTION	N/A	N/A	
Trailer Options	Full Width Breast and Breaching Bars	STD	OPTION	OPTION	OPTION	OPTION	OPTION	OPTION
	Padded Breast and Breaching Bars	N/A	OPTION	OPTION	OPTION	OPTION	OPTION	OPTION
	Internal Padding	OPTION	OPTION	OPTION	OPTION	OPTION	OPTION	OPTION
	Head Partition	N/A	OPTION	OPTION	OPTION	OPTION	OPTION	OPTION
	Stowage Net	N/A	OPTION	OPTION	OPTION	OPTION	OPTION	OPTION
	Prop Stands	OPTION	OPTION	OPTION	OPTION	OPTION	OPTION	OPTION
Tack Locker / Tack Pack Options	Built-in Tack Locker	N/A	N/A	STD	N/A	STD	N/A	STD
	Two Feeding Mangers with Fixing Brackets	N/A	N/A	OPTION	N/A	OPTION	N/A	OPTION
	Wheeled Tack Pack	N/A	OPTION	N/A	OPTION	N/A	OPTION	N/A
	Tack Locker Interior Lamp	N/A	N/A	STD	N/A	STD	N/A	STD
	Door Mounted Tack Pack	OPTION	OPTION	N/A	OPTION	N/A	OPTION	N/A
Wheel Options	Spare Wheel (Steel) and Cover	STD	STD	STD	STD	STD	STD	STD
	Wheel Trims (For Steel Wheels 4 per Trailer)	OPTION	OPTION	OPTION	OPTION	OPTION	OPTION	OPTION
	6-Spoke Silver Alloy Wheels (4 per Trailer)	OPTION	OPTION	OPTION	OPTION	OPTION	OPTION	OPTION
	8-Spoke Silver Alloy Wheels (4 per Trailer)	OPTION	OPTION	OPTION	OPTION	OPTION	OPTION	OPTION
	8-Spoke Diamond Cut Alloy Wheels (4 per Trailer)	OPTION	OPTION	OPTION	OPTION	OPTION	OPTION	OPTION
	Locking Wheel Bolts (For alloy wheels)	OPTION	OPTION	OPTION	OPTION	OPTION	OPTION	OPTION
	Wheel Chocks (Pair)	OPTION	OPTION	OPTION	OPTION	OPTION	OPTION	OPTION
	Lockable Spare Wheel Carrier Kit	OPTION	OPTION	OPTION	OPTION	OPTION	OPTION	OPTION
Finishing Touches / Accessories	Auto-lift Jockey Wheel	OPTION	OPTION	OPTION	OPTION	OPTION	OPTION	OPTION
	Trailer Camera (Supplied loose, requires fitting)	OPTION	OPTION	OPTION	OPTION	OPTION	OPTION	OPTION
	Trailer Cover (Blue)	OPTION	OPTION	OPTION	OPTION	OPTION	OPTION	OPTION
	13 Pin to 7 Pin Towing Electric Plug Adaptor	OPTION	OPTION	OPTION	OPTION	OPTION	OPTION	OPTION
	Coupling Head Security Lock	OPTION	OPTION	OPTION	OPTION	OPTION	OPTION	OPTION
	Trailer Aid	OPTION	OPTION	OPTION	OPTION	OPTION	OPTION	OPTION
	High Level Brake Light	OPTION	OPTION	OPTION	OPTION	OPTION	OPTION	OPTION
Blackout Strips	OPTION	OPTION	OPTION	OPTION	OPTION	N/A	N/A	

For Trailers with Ramp: Unless specified at the time of order, a right-hand ramp (and left-hand inspection door) will be fitted.
For Trailers with Built in Tack Locker: Only available on the left-hand side with right-hand inspection door.





HBE with optional 8-spoke alloy wheels, high level brake light, partition and side wall padding



Ifor Williams Trailers Ltd
 Cynwyd, Corwen,
 Denbighshire LL21 0LB UK
 Telephone +44 (0)1490 412527
 sales@iwt.co.uk

For further information visit our
 comprehensive website
www.iwt.co.uk



ALSO AVAILABLE FROM IFOR WILLIAMS TRAILERS



THE HB RANGE

See separate brochure and price list.



THE EVENTA

See separate brochure and price list.



LARGE HORSEBOX

See separate brochure and price list.

Product design, descriptions, colours, specifications etc. correct at time of going to press. We constantly strive to improve our products, and from time to time this may result in changes to our range or to individual models. Please check that design, description, colours, specifications described in this brochure are still valid at the time of placing an order.

Our distributors have extensive product knowledge and will be pleased to offer assistance in the selection of your trailer.

© Ifor Williams Trailers Ltd 2018.

All rights reserved.

No part of this publication may be reproduced in any form or by any means, without the prior written permission of Ifor Williams Trailers Ltd.